

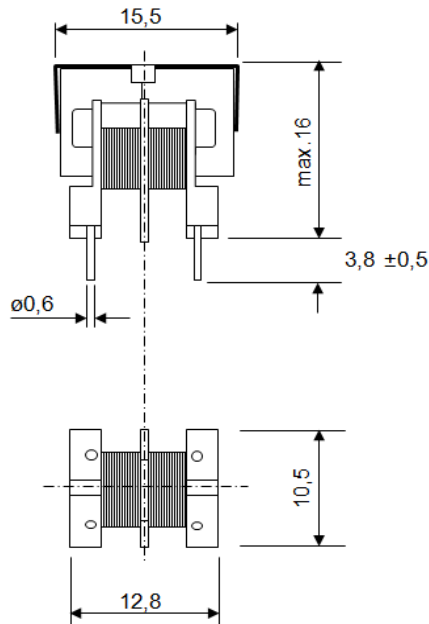
Type : **UU098-V22-2SM1**

- ✦ Low DC resistance
- ✦ High current tolerance and stable performance
- ✦ High reliability and easy surface mount assembly
- ✦ Dielectric Strength >1500Vac (between windings)
- ✦ UL94-V0 Recognized Materials
- ✦ Operating Temperature -10°C to +60°C
- ✦ RoHS Compliant Product
- ✦ Custom Design Available

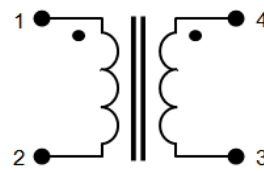


Item Code	Inductance (min - max.)	Rated Current	Resistance (Ohm - max.)
UU098-V22-2SM001	1,0 - 2,5 mH	1,0 A	0,20
UU098-V22-2SM003	3,0 - 4,7 mH	0,8 A	0,40
UU098-V22-2SM005	5,0 - 9,0 mH	0,5 A	1,00
UU098-V22-2SM010	10 - 18 mH	0,35 A	2,00
UU098-V22-2SM020	20 - 35 mH	0,25 A	4,00
UU098-V22-2SM040	40 - 65mH	0,15 A	8,00

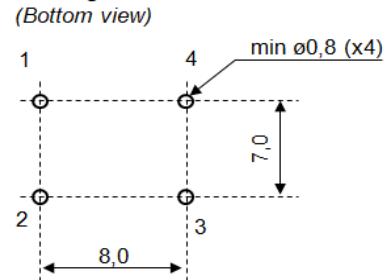
Dimensions [mm]



Circuit diagram



Pin configuration



The parameters of the product are given as an example. Data are subject to change without prior notice.

Revised : 20-Jan-2022